

CUSTOMER DRAWING 1 OF 2

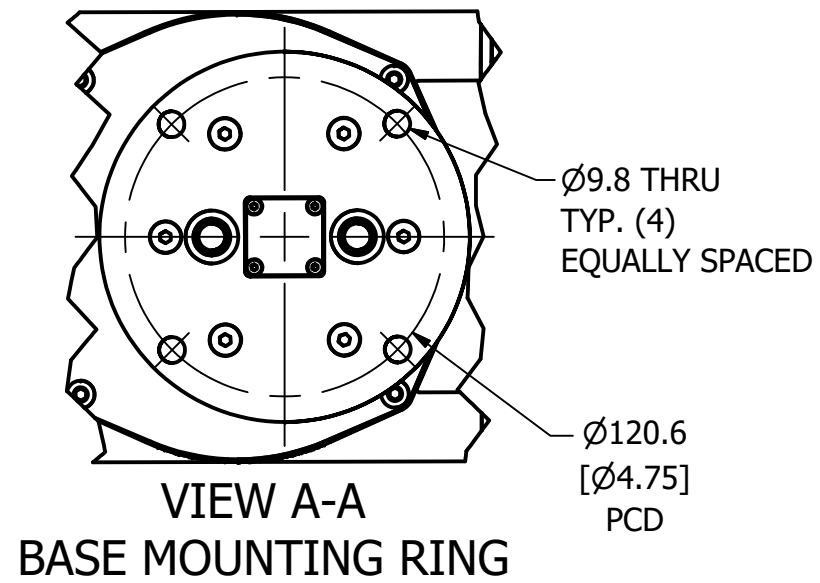
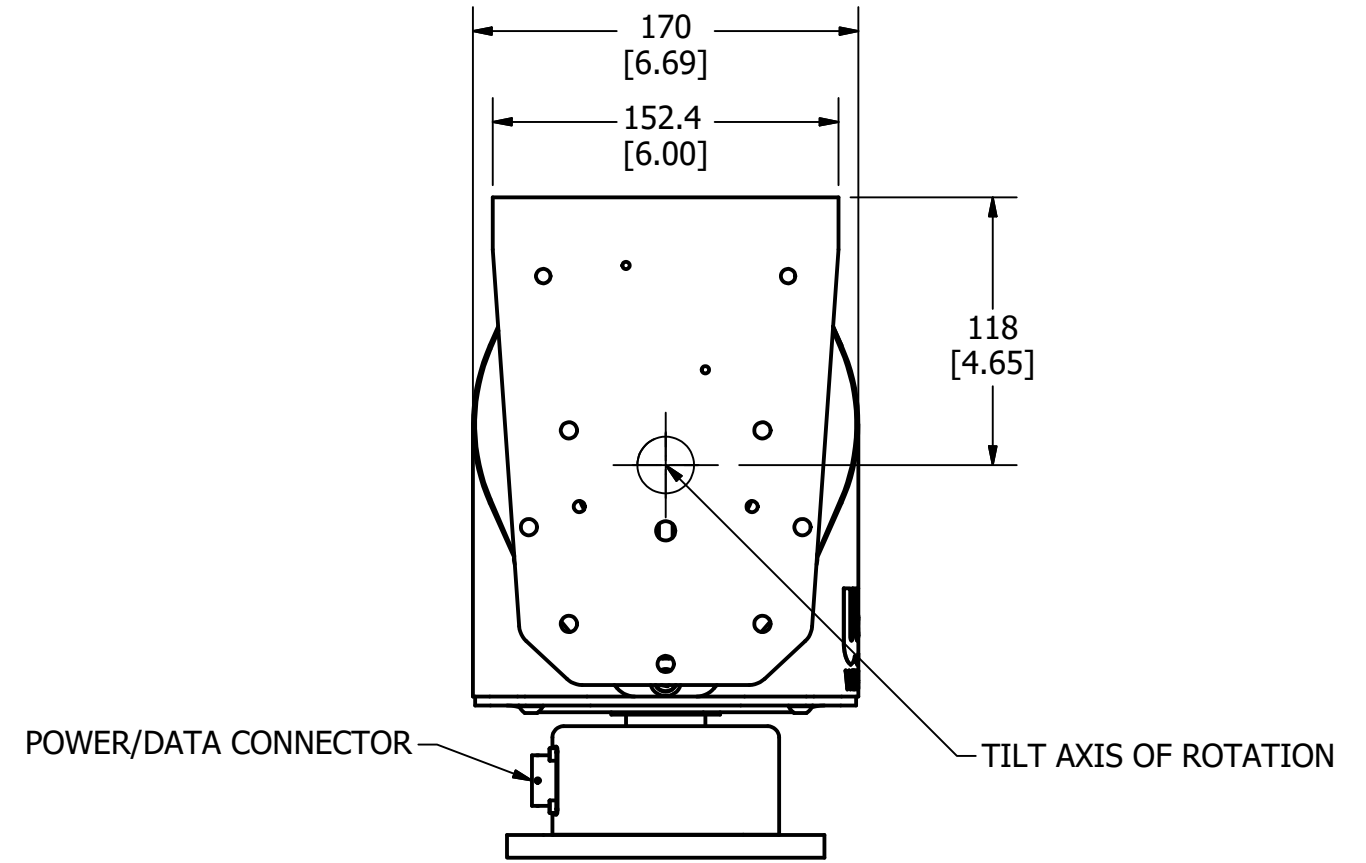
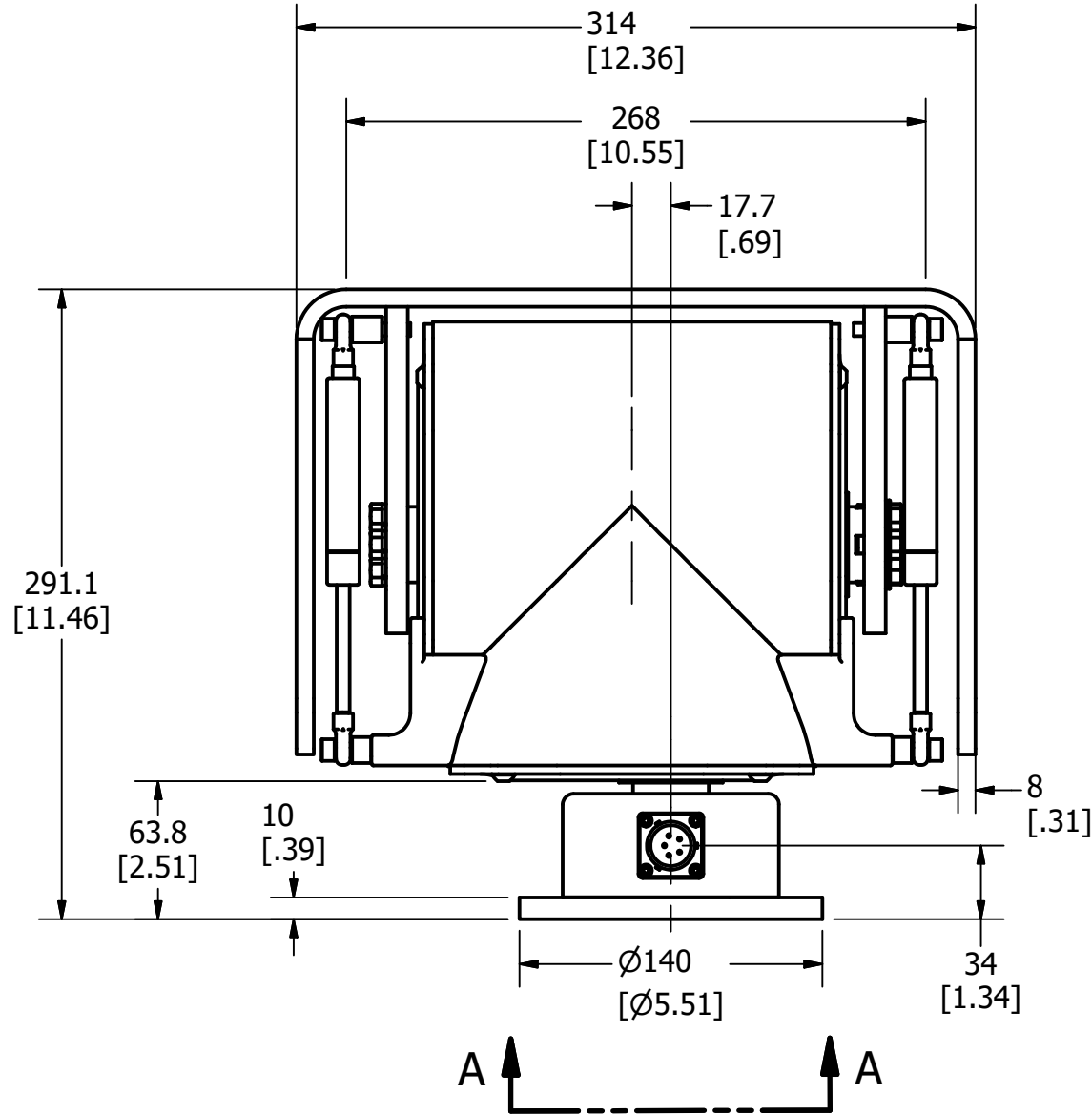


TABLE	
SPECIFICATION	VALUE
PAN GEAR BOX SPEED (MAX)	6.5°/sec
TILT GEAR BOX SPEED (MAX)	5.5°/sec
MAX LOAD	75 ft-lb
PAN RANGE	±200°
TILT RANGE	±90°
BACKLASH	0.15°
REPEATABILITY	0.3°
INGRESS PROTECTION	IP68
TEMPERATURE RANGE	-20°C to +50°C
POWER INPUT	24VDC (Standard)
MAX CURRENT DRAW	1.85 A
PROTOCOL	PELCO D
ABSOLUTE POSITIONING	YES
POSITIONAL FEEDBACK	YES
APPLICATION	VEHICLE
SPECIFICATIONS	MIL-STD-810G

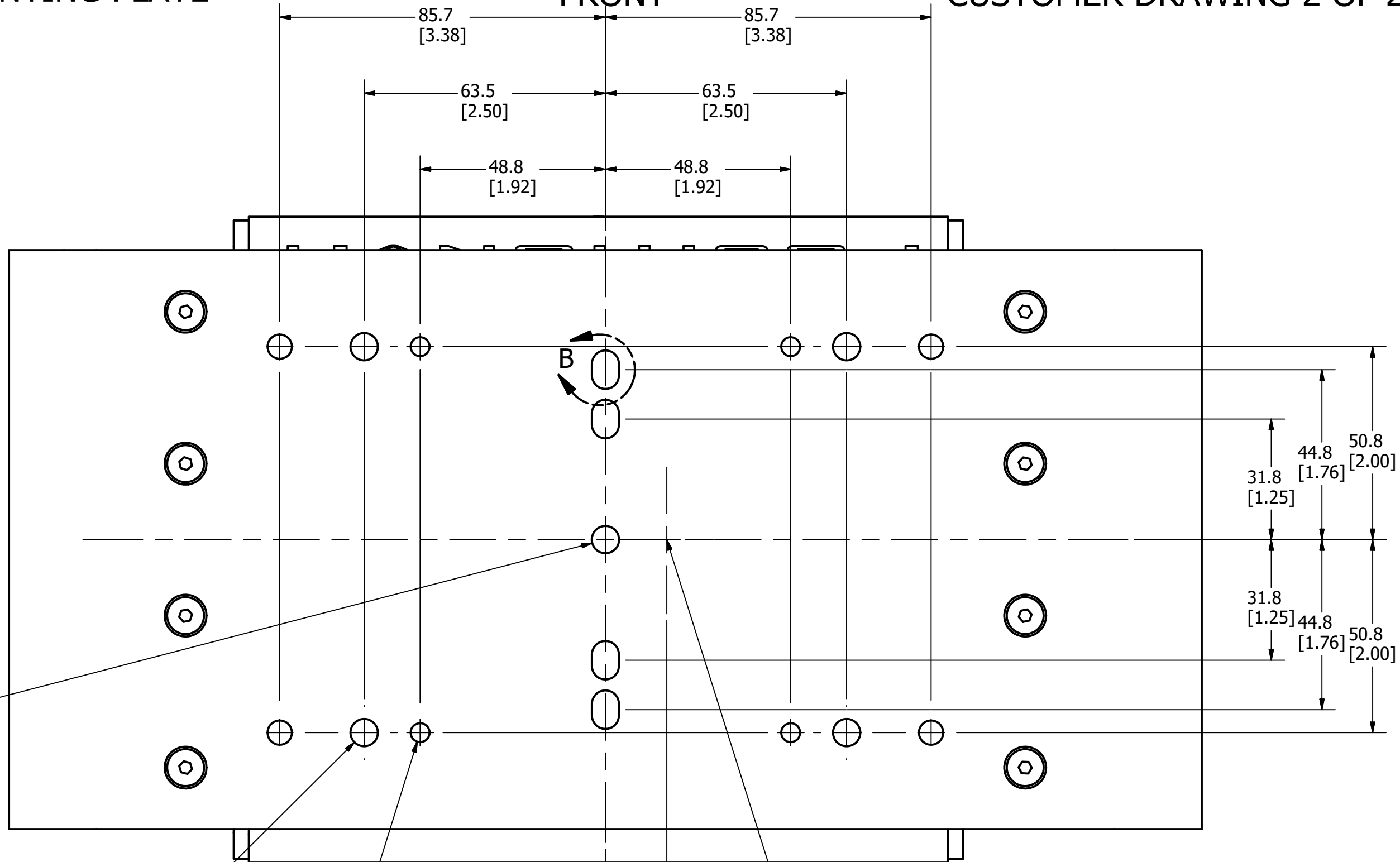
TABLE	
PART NUMBER	PAINT COLOUR
HM211TX2DXRX2-00	GOOSE GREY
HM211TX2DXRX2-01	BLACK
HM211TX2DXRX2-02	WHITE

MATERIAL ALUMINIUM BODY & SSTL HARDWARE FINISH BLACK APPROX. WT: 15.9kg [35lb] THIRD ANGLE PROJECTION	UNLESS OTHERWISE SPECIFIED DIMENSIONS ARE IN MILLIMETERS [ALTERNATE UNITS IN INCHES] ALL DIMENSIONS AND PERFORMANCE PARAMETERS ARE PROVIDED FOR REFERENCE ONLY AND ARE SUBJECT TO CHANGE WITHOUT NOTICE. ALTERNATIVE FINISH OPTIONS AVAILABLE UPON REQUEST	PROPRIETARY AND CONFIDENTIAL THE INFORMATION CONTAINED IN THIS DRAWING IS THE SOLE PROPERTY OF THE WILL-BURT COMPANY. ANY REPRODUCTION IN PART OR WHOLE WITHOUT THE WRITTEN PERMISSION OF THE WILL-BURT COMPANY IS PROHIBITED.	WILL-BURT AN EMPLOYEE OWNED COMPANY ORRVILLE, OH	
			TITLE CUSTOMER DRAWING GEN 2, PI-150, 6.5/5.5, 24VDC, RX2	
APPROVALS DRAWN AD 30/06/2022 CHECKED AH 05/01/2023		DATE SCALE: NONE		SIZE DWG NO A3 HM211TX2DXRX2
		REV 1 PN HM211TX2DXRX2-XX		

PAYLOAD MOUNTING PLATE

FRONT

CUSTOMER DRAWING 2 OF 2



Ø7.2
[Ø.28]

7.1
[.28]

3
[.12]

Ø7.2
[Ø.28]
TYP. (4)

1/4-20 UNC - 2B
TYP. (4)

BACK

16.2
[.64]

PAN AXIS OF ROTATION

R3.6
[R.14]
TYP.
DETAIL B
TYP. (4)

MATERIAL
ALUMINIUM BODY &
SSTL HARDWARE

FINISH
BLACK

APPROX. WT: 15.9kg [35lb]

THIRD ANGLE PROJECTION

UNLESS OTHERWISE SPECIFIED
DIMENSIONS ARE IN MILLIMETERS
[ALTERNATE UNITS IN INCHES]

ALL DIMENSIONS AND PERFORMANCE
PARAMETERS ARE PROVIDED FOR
REFERENCE ONLY AND ARE SUBJECT
TO CHANGE WITHOUT NOTICE.

ALTERNATIVE FINISH OPTIONS
AVAILABLE UPON REQUEST

PROPRIETARY AND CONFIDENTIAL
THE INFORMATION CONTAINED IN THIS
DRAWING IS THE SOLE PROPERTY OF THE
WILL-BURT COMPANY. ANY REPRODUCTION IN
PART OR WHOLE WITHOUT THE WRITTEN
PERMISSION OF THE WILL-BURT COMPANY IS
PROHIBITED.

APPROVALS		DATE	
DRAWN	AD	30/06/2022	
CHECKED	AH	05/01/2023	
		SCALE: NONE	

WILL-BURT AN EMPLOYEE OWNED COMPANY
ORRVILLE, OH

TITLE
CUSTOMER DRAWING
GEN 2, PI-150, 6.5/5.5, 24VDC,
RX2

SIZE DWG NO
A3 HM211TX2DXRX2

REV
1

PN
HM211TX2DXRX2-XX